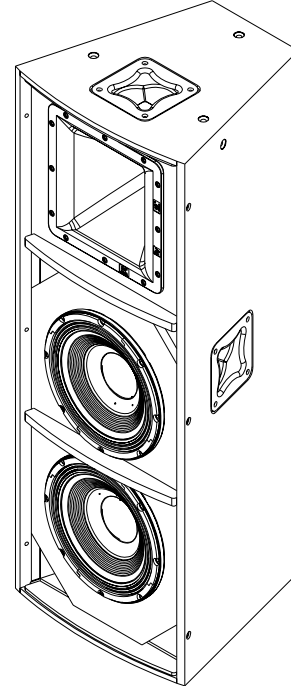




## Key Features:

- Dual ND2 2" Voice Coil, 1" Exit Neodymium Compression Drivers
- Dual DVX3121 12" LF Transducers with Forced Air Cooling
- Long-Throw 30° x 45° Rotatable Coverage Pattern
- 1000W Continuous (4000W Peak) Power Handling
- Biamp Operation
- Very High Sensitivity, 138 dB Maximum SPL
- Integral Rigging Points for Eyebolts or Optional Rigging Kit
- Designed to be Arrayed



## General Description:

The Electro-Voice® PX2122 is a high efficiency 2-way loudspeaker system that is part of the Electro-Voice® Phoenix Series and is intended for high output sound reinforcement in fixed-installation and portable sound applications. The PX2122 is configured for biamp operation, and to be used with the PX2181 for extended LF in a 3-way configuration for highest SPL capability.

The PX2122 uses dual DVX3121 woofers, a high efficiency 12-inch woofer with forced air cooling, in a vented enclosure. Dual ND2-16 compression drivers are precisely summed in a manifold for increased power handling, maximum SPL, and lower distortion. The very low distortion 30° x 45° horn provides tight coverage, long throw, and is rotatable. Designed to be used as array elements, up to three PX2122's can be arrayed together for 90° of horizontal coverage. The enclosure is constructed of 18-mm, 13-ply plywood using tongue and groove joints and EVCoat for long term durability.

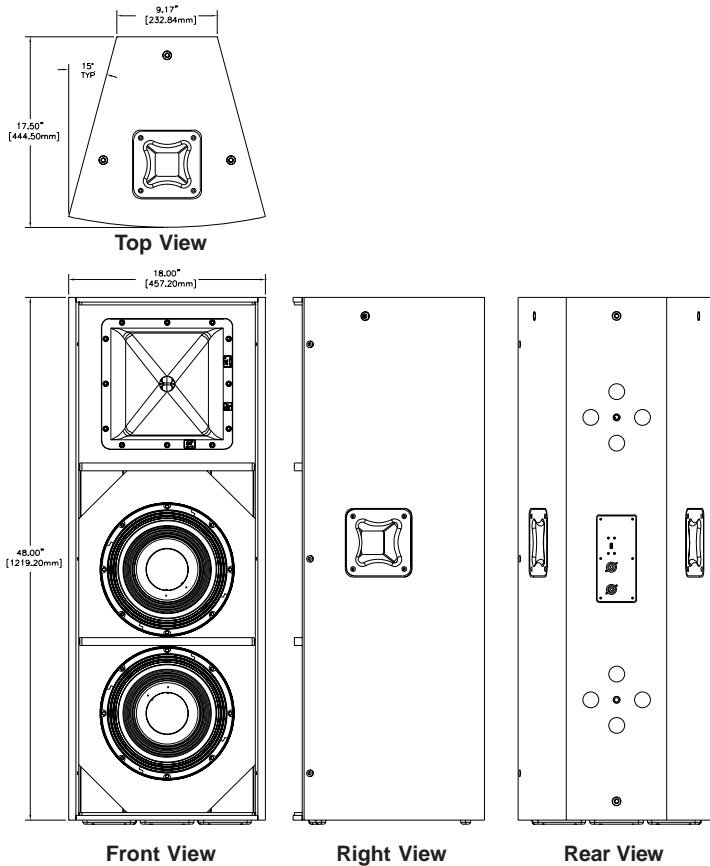
The PX2122 is designed to reproduce the frequency range above 80 Hz, and should be used with the PX2181 subwoofer for fullrange. The enclosure shares the same footprint as other speakers in the Phoenix line for system flexibility.

## Technical Specifications:

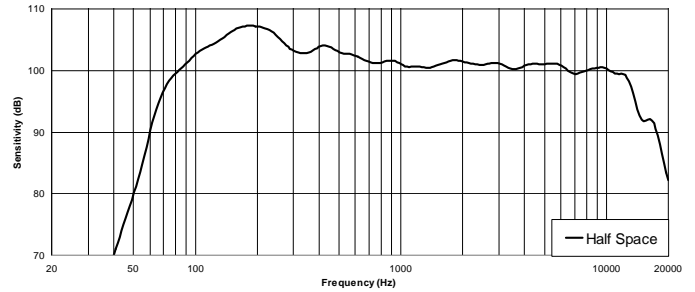
Freq. Response <sup>1</sup> (-3 dB):	80 Hz - 15 kHz
Freq. Range <sup>1</sup> (-10 dB):	60 Hz - 19 kHz
Rec. Hipass Frequency:	80 Hz
Axial Sensitivity <sup>1</sup> :	102 dB (1W/1m)
Max Calculated SPL <sup>1</sup> :	138 dB
Horizontal Coverage:	30°, or 45°
Vertical Coverage:	45°, or 30°
LF Power Handling:	1000W Continuous, 4000W Peak
HF Power Handling:	80W Continuous, 320W Peak
LF Transducer:	(2) DVX3121, 12 in. (305 mm) Driver
HF Transducers:	(2) ND2-16, 2 in. (50mm) Diaphragm Compression Drivers
Crossover Frequency:	1600 Hz
LF Impedance:	4 Ohms Nominal
HF Impedance:	8 Ohms Nominal
Connectors:	(2) Neutrik Speakon NL4's
Enclosure Material:	18mm Plywood with Black EVCoat™
Suspension:	(8) M10 Points - (6) on Top and (2) on Bottom of Enclosure
Grille:	Polyester Powder Coated, 16GA Galvanized Steel, with Rotatable Logo
Dim (H x W x D):	1219mm x 457mm x 445mm (48.00" x 18.00" x 17.50")
Net Weight:	50.1 kg (110.3 lbs)
Shipping Weight:	58.9 kg (129.6 lbs)

<sup>1</sup> Half Space measurement.

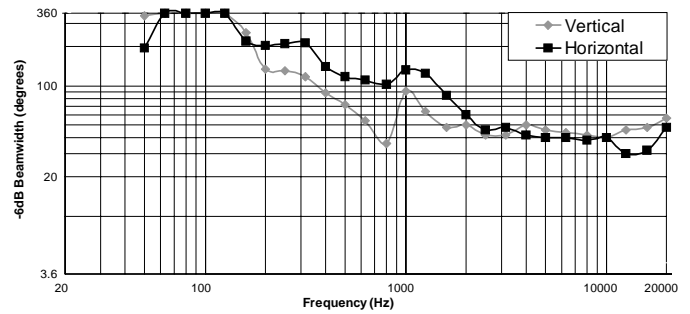
## Dimension Drawings:



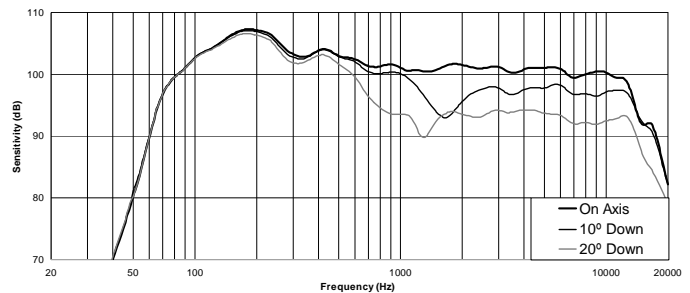
## Frequency Response:



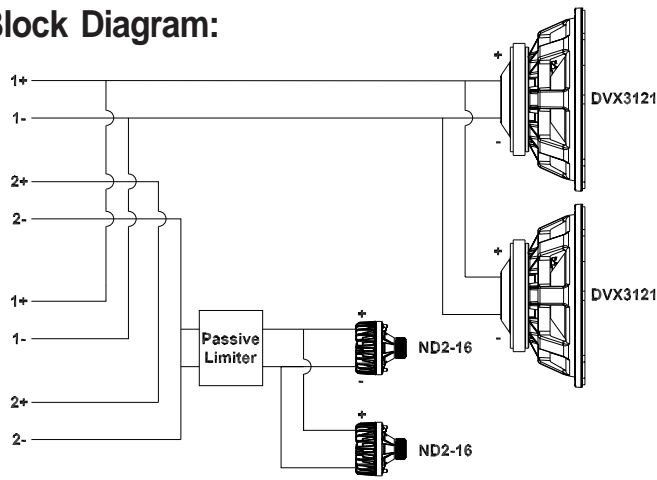
## Beamwidth:



## Frequency Response, Off-Axis (Down):



## Block Diagram:



### PX2122 Part Number

- 302009-001 PX2122, 30° x 45° Horn, Black Finish

### Performance Match

- 302015-001 PX2181, 18" Subwoofer, Black Finish
- D170401 CP4000S, 120V, 1400W x 2, Compact Precision Series Amplifier
- D170348 DX38, Digital Loudspeaker Processor

### Accessories

- ASY000003-001 EBK-M10, Forged M10 Eyebolt Kit, Set of Three
- ASY000005-001 PX-D1, Dolly Kit for PX2122 and PX2152
- ASY000006-001 PX-G1, Phoenix Grid for PX2122 and PX2152



This PX2122 Loudspeaker should be suspended overhead only in accordance with the procedures and limitations specified. This system should be suspended with certified rigging hardware by an authorized rigging professional and in compliance with local, state, and federal overhead suspension ordinances.



12000 Portland Avenue South, Burnsville, MN 55337

Phone: 952/884-4051, Fax: 952/884-0043

[www.electrovoice.com](http://www.electrovoice.com)

© Telex Communications, Inc. 6/2006

Part Number 38110-524 Rev. 2

U.S.A. and Canada only. For customer orders, contact Customer Service at:

**800/392-3497 Fax: 800/955-6831**

Europe, Africa, and Middle East only. For customer orders, contact Customer Service at:

**+ 49 9421-706 0 Fax: + 49 9421-706 265**

Other International locations. For customer orders, contact Customer Service at:

**+ 1 952 884-4051 Fax: + 1 952 736-4212**

For warranty repair or service information, contact the Service Repair department at:

**800/685-2606**

For technical assistance, contact Technical Support at: **866/78AUDIO**

Specifications subject to change without notice.